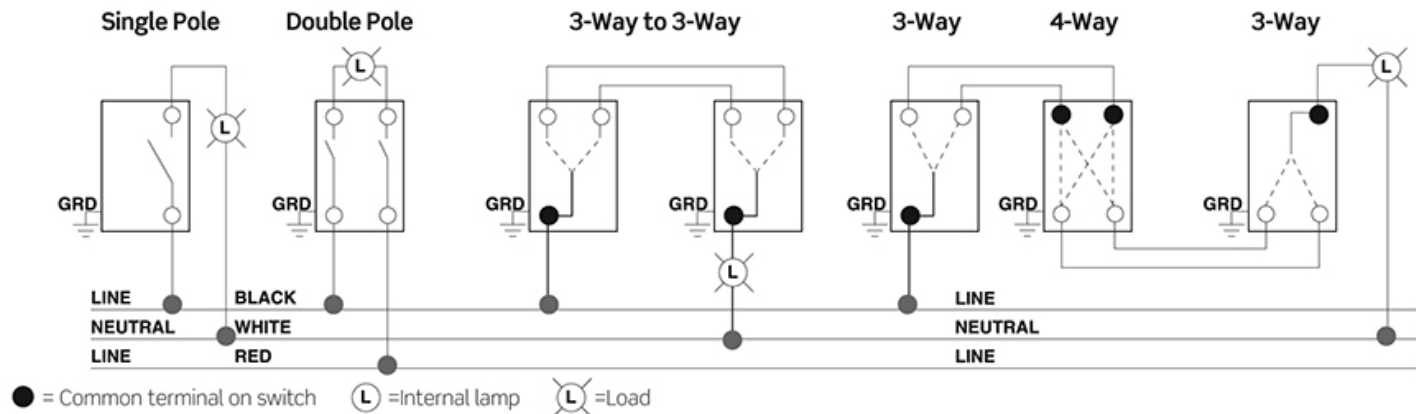
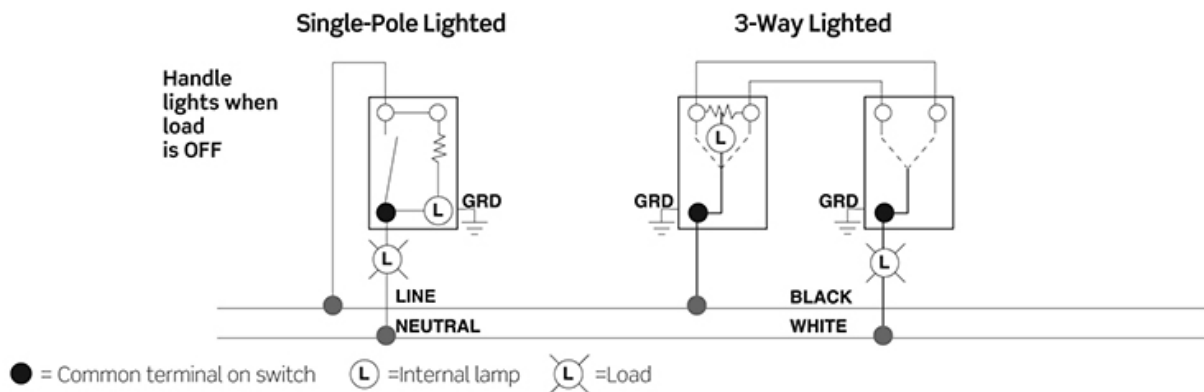


Switch Wiring Diagrams

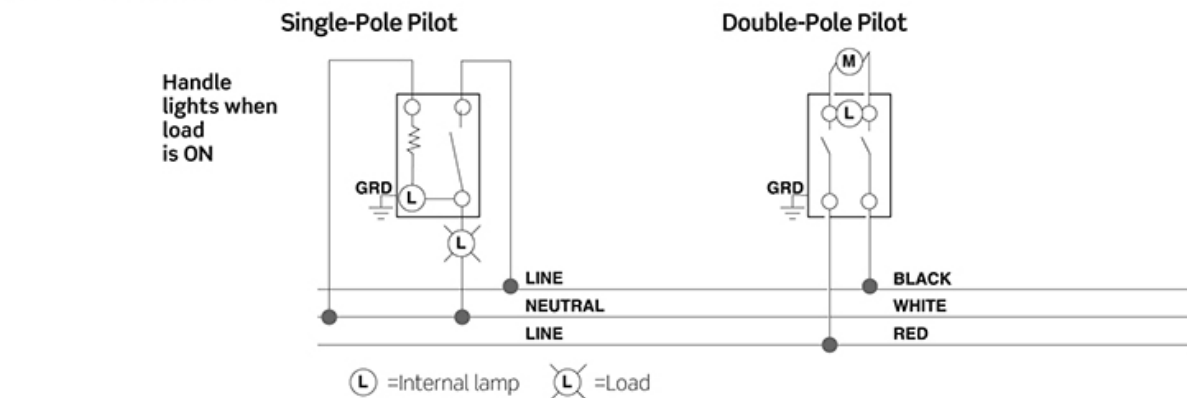
STANDARD TOGGLE TYPE SWITCHES



LIGHTED HANDLE SWITCHES

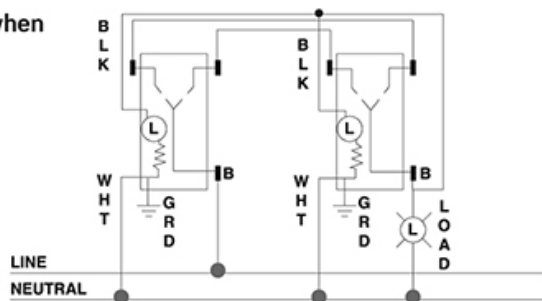


PILOT LIGHT SWITCHES



3-WAY PILOT SWITCHES

Handle
lights when
load
is ON



● = Common terminal on switch (L) = Internal lamp (L) = Load

3-POSITION SWITCHES MOMENTARY AND MAINTAINED

Single-Pole, Double Throw
(SPDT) Center OFF

Double-Pole, Double Throw
(DPDT) Center OFF

